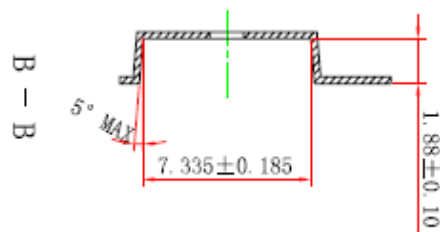
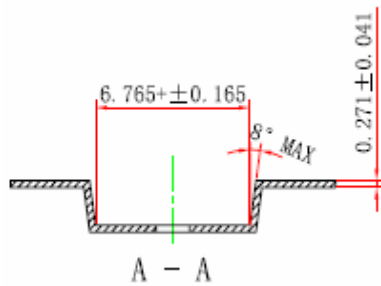
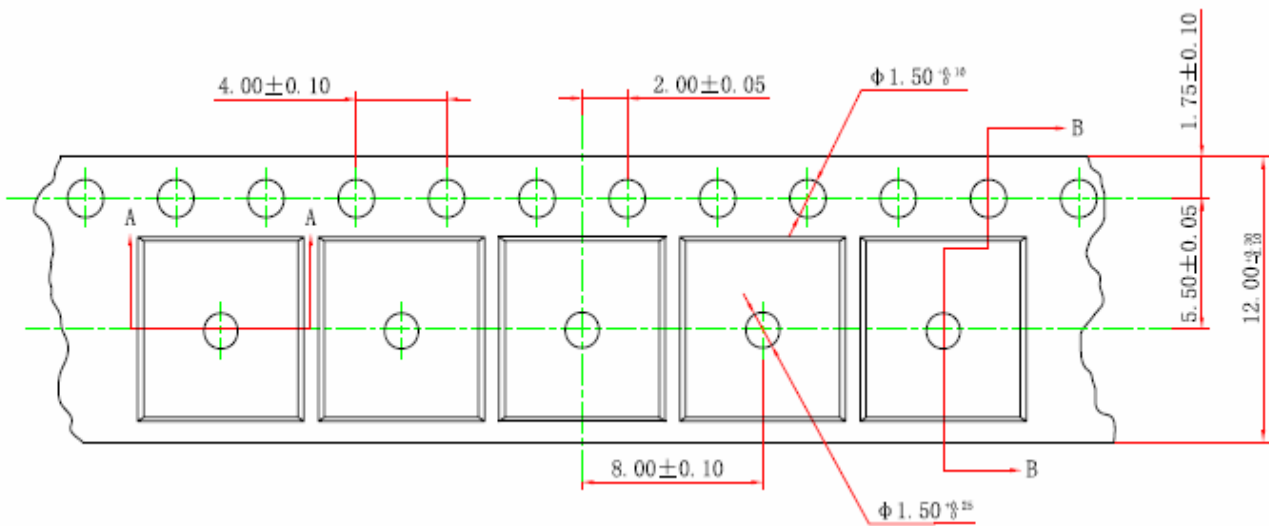
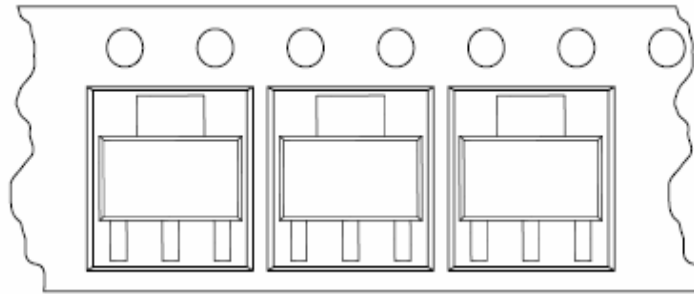


Taping Specification

SOT 223 (1)

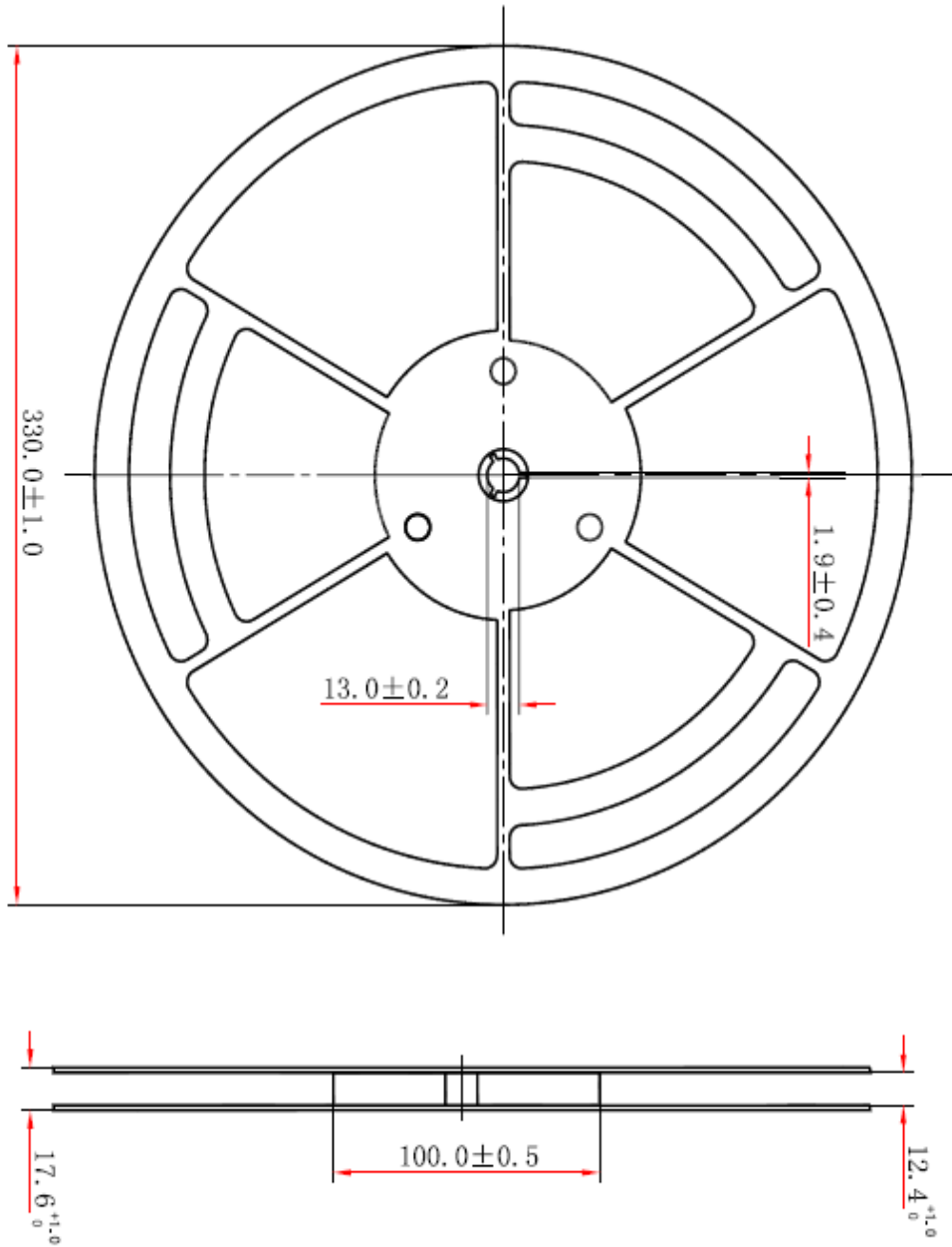
DimensionTable for SOT-223 Punched Carrier Reel Camber



Taping Specification

SOT 223 (2)

DimensionTable for SOT-223 Punched Carrier Reel Camber



- Quantity / Package

1. Loaded Quantity Per Reel : 2,500 pcs
2. Reel Packing Per Inner Box : 2 reels
3. Inner Box Packing Per Out Box : 8 box