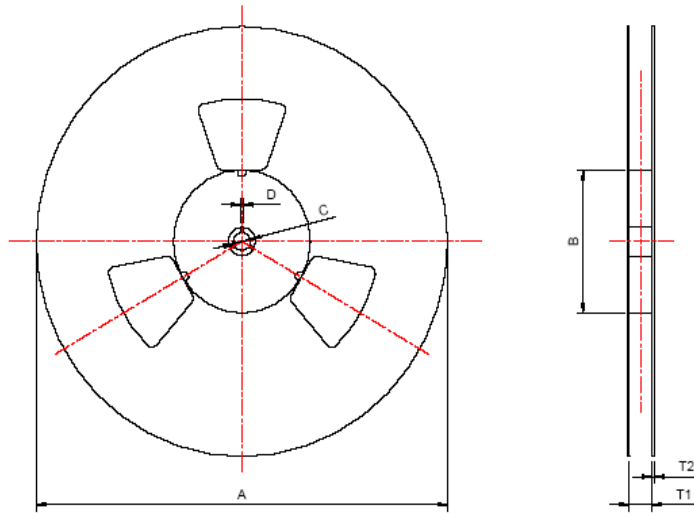
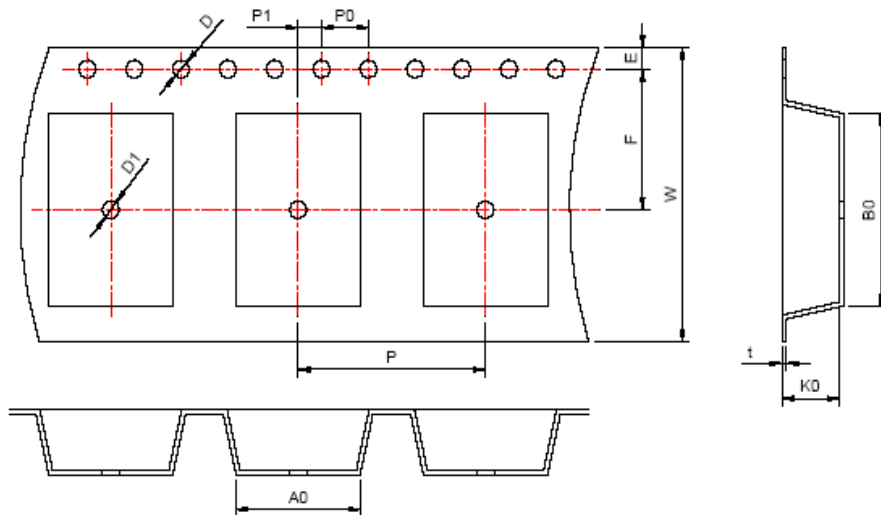


Taping & Reel Specification

TO 252 & TO 263



Symbol	TO-252		TO-263	
	TYP	Tolerance	TYP	Tolerance
A	330	± 2.0	330	± 2.0
B	100	± 0.5	100	± 0.5
C	13	± 0.2	13	± 0.2
D	1.9	± 0.4	1.9	± 0.4
T1	16.4	± 0.2	24.4	± 0.2
T2	3	± 0.5	3	± 0.5



Package	W	P	E	F	D	D1	P0	P1	A0	B0	K0	t
TO-252	16 ± 0.2	8 ± 0.1	1.75 ± 0.1	7.5 ± 0.1	1.55 ± 0.05	1.5 ± 0.01	4.0 ± 0.1	2.0 ± 0.1	6.96 ± 0.1	10.49 ± 0.1	2.79 ± 0.05	0.33 ± 0.013
TO-263	24 ± 0.2	16 ± 0.1	1.75 ± 0.1	11.5 ± 0.1	1.55 ± 0.05	1.5 ± 0.01	4.0 ± 0.1	2.0 ± 0.1	10.8 ± 0.1	16.13 ± 0.1	5.21 ± 0.1	0.356 ± 0.013

- Quantity / Package	TO-252	TO-263
1. Loaded Quantity Per Reel :	2,500 pcs	800 pcs
2. Reel Packing Per Out Box :	10 reels	10 reels